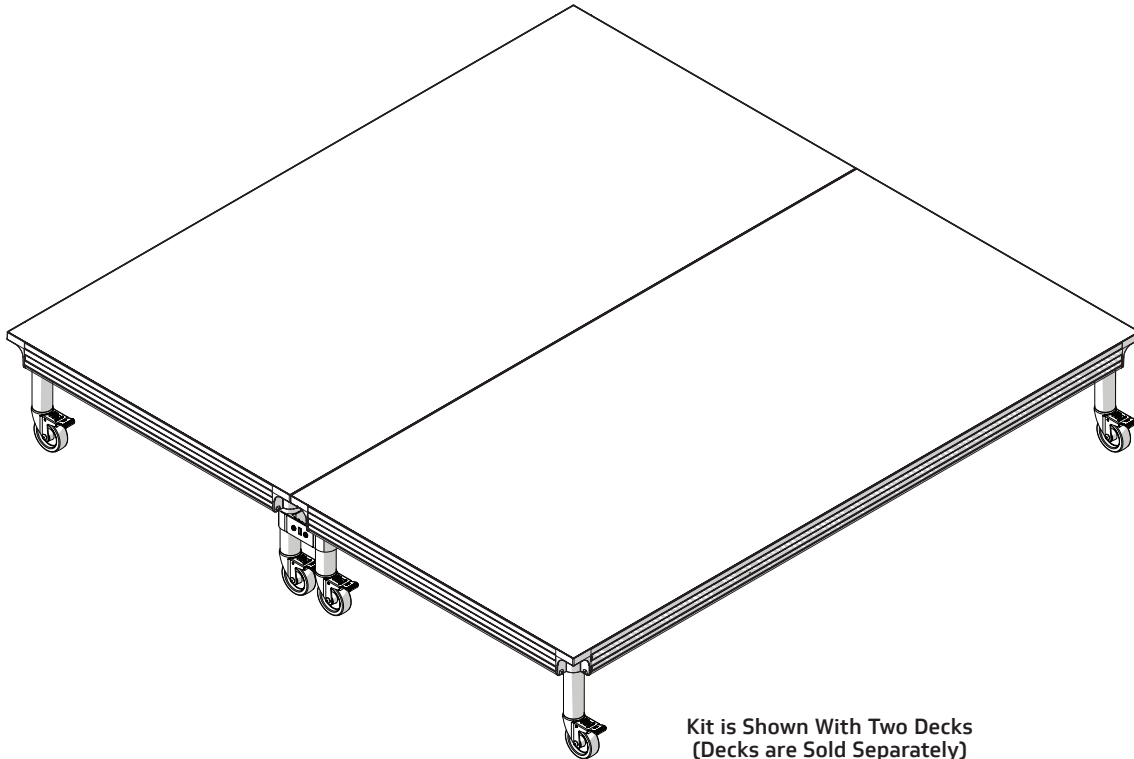


StageTek[®] Roll-A-Deck[®] Kit

- 280B550 Each kit contains four legs and one connection bracket
- Designed for rectangular StageTek decks (ordered separately)
- Standard deck finished height elevations are between 12-1/4" and 24" (311 and 610 mm); higher elevations require the use of stabilizers (ordered separately)
- 9-1/2" (241 mm) minimum elevation is possible if adjacent decks are connected using cam locks or for use on individual decks not connected to another deck; leg to leg connector brackets cannot be used at this elevation
- Tubular aluminum legs with steel inserts and four easy-rolling, lockable casters
- 5" (127 mm) diameter polyolefin casters are rated for 700 lb (317 kg) each; all casters lock both the wheel and swivel for added stability
- Maximum load capacity is 1600 lb (726 kg) per deck
- Guardrails are recommended for elevations over 16" (406 mm)
- Ten-year warranty

Accessories

- Chair stops and backdrops are available



Kit is Shown With Two Decks
(Decks are Sold Separately)

